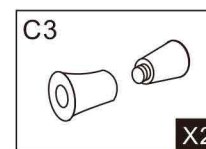
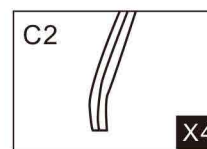
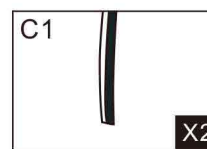
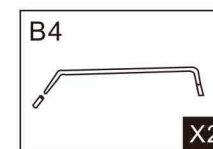
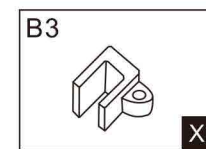
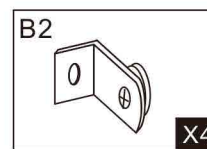
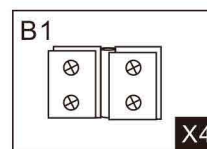
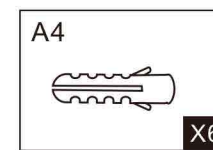
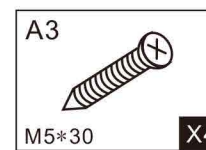
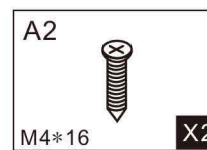
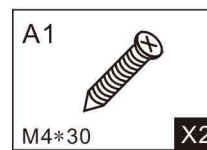
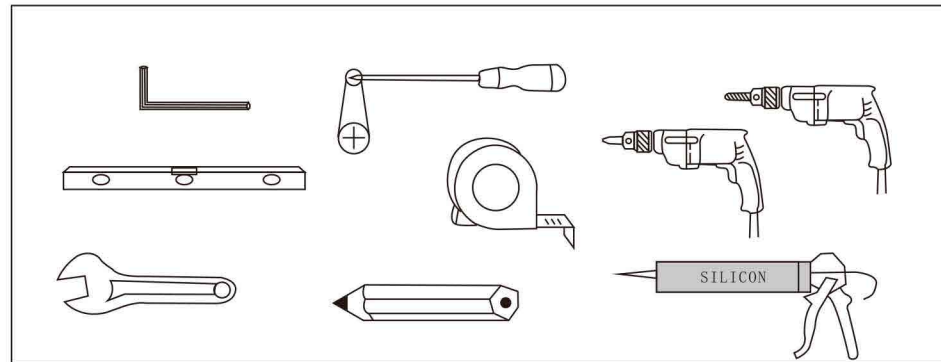
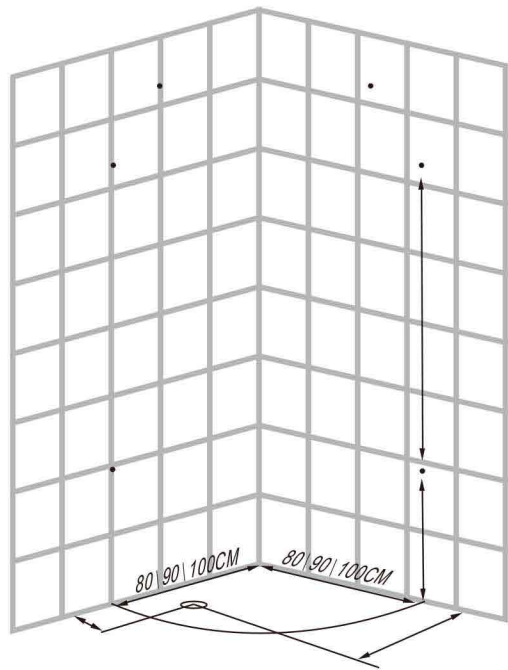


INSTALL INSTRUCTION

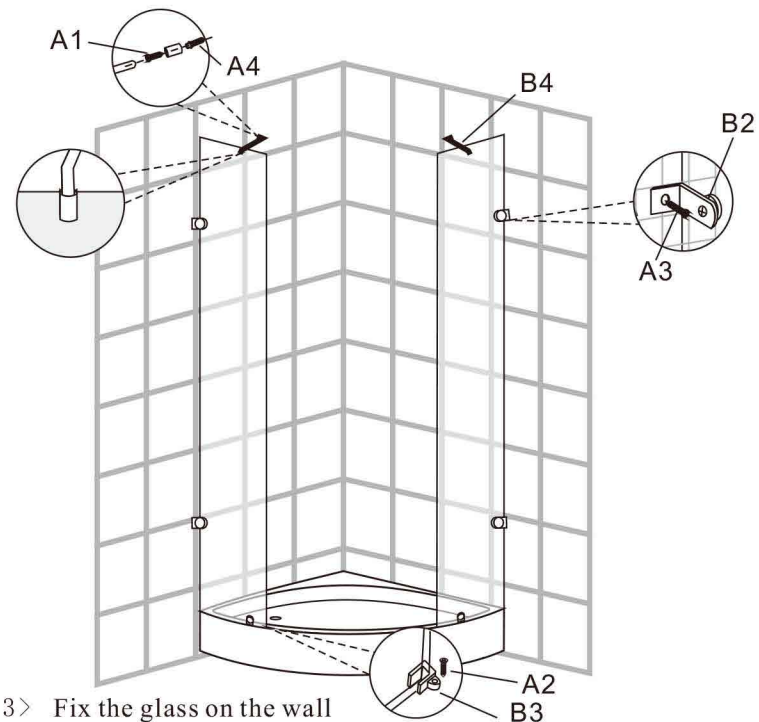


TOOL AND ACCESSORIES

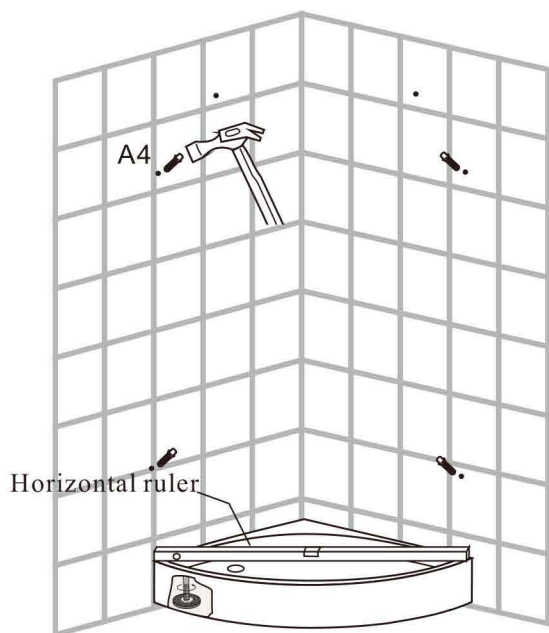




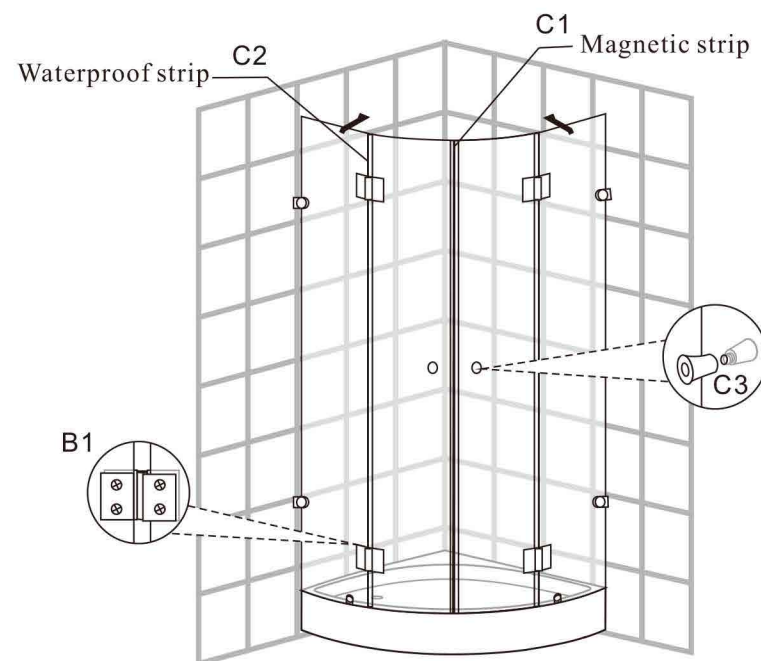
<1> Installation size



<3> Fix the glass on the wall



<2> Adjust the level and height of basin



<4> Connect the glass and the glassdoor